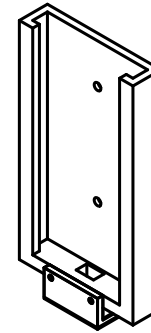


2

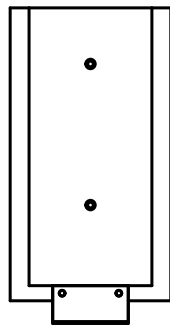
1



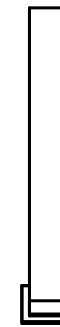
Top



Isometric



Front



Side

B

B

A

A

UNLESS OTHERWISE SPECIFIED, DIMENSIONS ARE IN INCHES .XX = ±.0-      ANGULAR = ± ° .XXX = ±.00-    FRACTIONAL = ± .XXXX = ±.000- SURFACE FINISH		NAME	DATE	TITLE <h2 style="text-align: center;">Phone Holder</h2>		
	DRAWN	DREW BUSCH	02/19/2019			
	CHECKED	Mark Hazen	2/19/19			
	APPROVED	Kristi Hazen	2/19/19	SIZE	DWG NO.	REV.
DO NOT SCALE DRAWING				<b>6</b>		
BREAK ALL SHARP EDGES AND REMOVE BURRS				SCALE	WEIGHT	SHEET
THIRD ANGLE PROJECTION	MATERIAL	FINISH		1:4		1 of 2

2

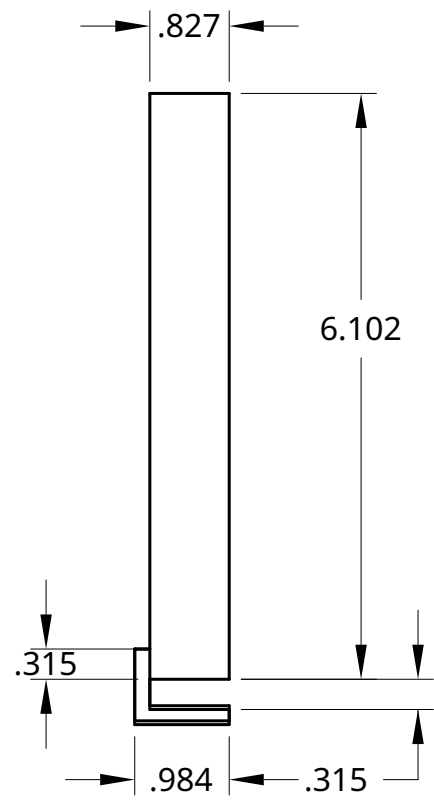
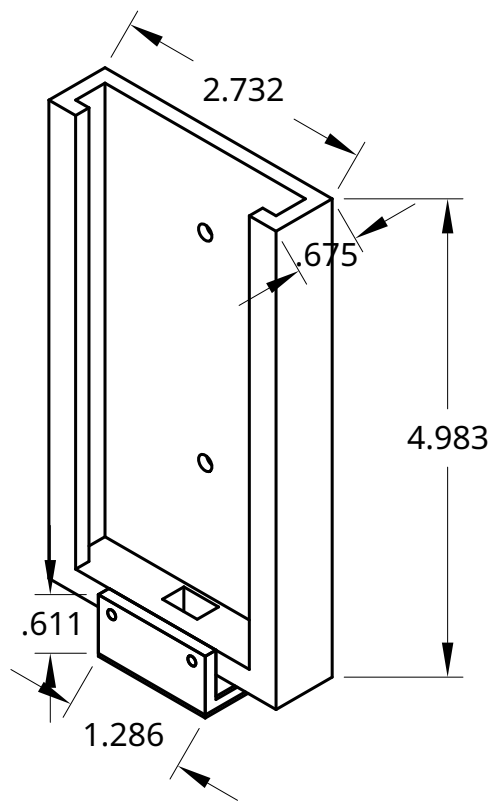
1

2

1

B

B



A

A

2

1

DWG. NO.	6	SIZE	SCALE	1:2	SHEET	2 of 2	REV.
----------	---	------	-------	-----	-------	--------	------